

# Surgitron® I 1266-85

HEAVY DUTY SERVICE ENTRANCE APPLICATIONS  
MODULAR DESIGN



## FEATURES AND BENEFITS

- Listed by ETL to UL 1449 3rd Edition for a Type 1 SPD application.
- Matrix of individually fused Metal Oxide Varistors (MOVs) housed in replaceable modules.
- Cover lights indicate status of modules.

## AVAILABLE CONFIGURATIONS

| Model Number | kA Per Phase | Voltage  | Configuration                  |
|--------------|--------------|----------|--------------------------------|
| 1266-85      | 120kA        | 220-240V | 3-Phase Delta, 3-Wire + Ground |
|              |              | 240/480V | 2-Phase, 3-Wire + Ground       |

### Warranty

5-years

### Available Options

|                                                |                |
|------------------------------------------------|----------------|
| Surge Counter                                  | Add suffix -S  |
| Stainless Steel NEMA 4X enclosure              | Add suffix -4X |
| Dry Relay Contacts come standard on all models |                |

### Stand Alone Option

|                |         |
|----------------|---------|
| Remote Monitor | 1260-97 |
|----------------|---------|

## PRODUCT SPECIFICATIONS

### Electrical

|                                        |                                                                                          |
|----------------------------------------|------------------------------------------------------------------------------------------|
| Nominal Discharge Current Rating (I-n) | 20kA                                                                                     |
| Operating Frequency                    | 50–60Hz                                                                                  |
| Connection Methods                     | Parallel to load (shunt)<br>Lugs #14–#2<br>Directly connect or through 60A (min) breaker |
| Modes of Protection                    | L-N, L-G, N-G                                                                            |
| Fault Rating (SCCR)                    | 100kAIC                                                                                  |
| Response Time                          | Less than 1 nanosecond (one per phase)                                                   |
| Standard Monitoring                    | LED status indicator lights (one per phase)                                              |

### Mechanical

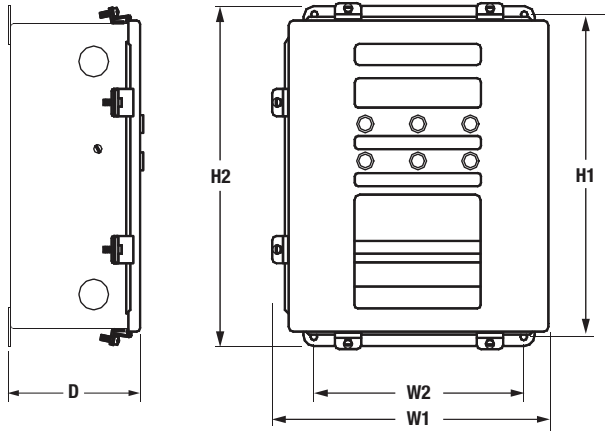
|                       |                                               |
|-----------------------|-----------------------------------------------|
| Weight                | 22 lbs. (10 kg)                               |
| Enclosure Type        | NEMA 4, 4X                                    |
| Installation Location | Indoor/Outdoor                                |
| Mounting Method       | Dual mounting flanges                         |
| Operating Environment | -40° to +185°F (-40° to +85°C)                |
| Altitude              | Up to 16,400 ft. (5000 m)                     |
| Product Design        | Individually fused MOVs<br>Overcurrent fusing |

### Regulatory

|                           |        |
|---------------------------|--------|
| UL 1449 3rd Edition Type  | Type 1 |
| UL 1283                   | No     |
| IEEE C62.41.1, .2, C62.45 | Yes    |
| Listed By                 | ETL    |

## SURGITRON I PERFORMANCE DATA

| Model Number | kA Per Phase | Voltage Configuration | Protection Modes | MCOV | UL 1449 3rd Edition<br>6kV 3000A VPR |
|--------------|--------------|-----------------------|------------------|------|--------------------------------------|
| 1266-85      | 120kA        | 220-240V              | L-N              | 320  | 1000V                                |
|              |              | 240/480V              | L-G              | 320  | 1000V                                |
|              |              |                       | N-G              | 320  | 900V                                 |



## DIMENSIONAL SPECIFICATIONS

| Dim | Inches (mm)    |
|-----|----------------|
| H1  | 12.75 (323.85) |
| H2  | 13.5 (342.9)   |
| W1  | 10.9 (276.86)  |
| W2  | 8.0 (203.2)    |
| D   | 5.2 (132.08)   |

Thomas & Betts Corporation